



Diesel Pile Hammers

Metric Units - US Units



Diesel Pile Hammers

Technical Data

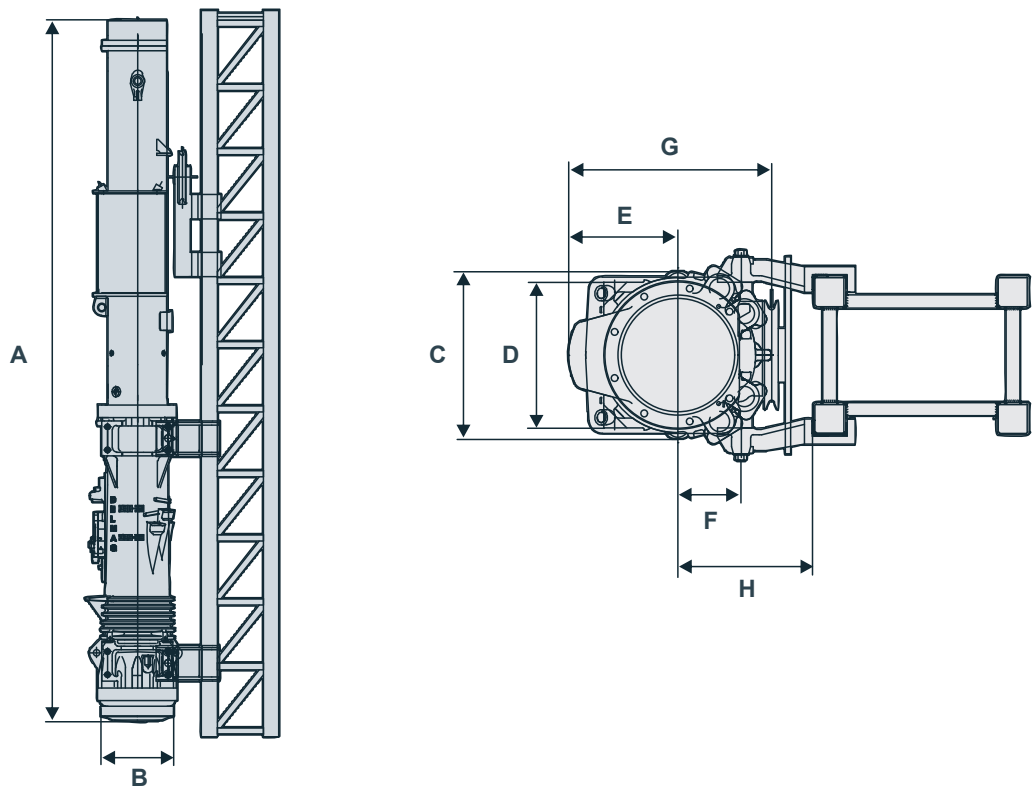
		D6-32	D8-22	D12-42	D16-32
Impact weight (piston)	kg	600	800	1280	1600
	lbs	1,320	1,765	2,820	3,530
Energy per blow max. - min.	kNm	19-9	27-13	46-20	54-25
	ft-lbs	14,015-6,640	19,915-9,590	33,930-14,750	39,830-18,440
Number of blows	min-1	38-52	36-52	35-52	36-52
Suitable for driving piles (depending on soil and pile)	kg	300 - 2000	500-3000	800-5000	1000-6000
	lbs	660-4,400	1,100-6,600	1,760-11,000	2,200-13,200
Consumption					
Diesel oil	l/h	3,7	4	4,5	5
	gal/h	0.81	0.88	1	1.1
Lubricant	l/h	0,25	0,5	0,5	0,5
	gal/h	0.05	0.11	0.11	0.11
Tank capacity					
Diesel oil tank	l	19	20	25	32
	gal	5	5.3	6.6	8.45
Lube tank	l	5	6	6,5	9
	gal	1.3	1.58	1.7	2.4
Max. rope diameter for deflector sheave of tripping device	mm	20	20	20	20
	in	0.78	0.78	0.78	0.78
Max. inclined pile driving without / with extension		1:3 / -	1:2 / -	1:5 / 1:1	1:5 / 1:1
Weight					
Diesel pile hammer	kg	1620	1935	2735	3620
	lbs	3,570	4,265	6,030	7,980
Tripping device	kg	114	114	114	114
	lbs	250	250	250	250

Technical Data

		D19-42	D25-32	D30-32
Impact weight (piston)	kg	1820	2500	3000
	lbs	4,010	5,510	6,610
Energy per blow max. - min.	kNm	66-29	90-40	103-48
	ft-lbs	48,680-21,390	66,380-29,500	75,970-35,400
Number of blows	min-1	35-52	35-52	36-52
Suitable for driving piles (depending on soil and pile)	kg	1100-6000	1600-7500	2000-9000
	lbs	2,420-13,200	3,530-16,535	4,410-19,840
Consumption				
Diesel oil	l/h	7,5	7,5	10
	gal/h	1.65	1.65	2.2
Lubricant	l/h	0,5	0,6	1
	gal/h	0.11	0.13	0.22
Tank capacity				
Diesel oil tank	l	32	67	67
	gal	8.45	17.7	17.7
Lube tank	l	9	19	19
	gal	2.4	5	5
Max. rope diameter for deflector sheave of tripping device	mm	20	22	22
	in	0.78	0.87	0.87
Max. inclined pile driving without / with extension		1:5 / 1:1	1:5 / 1:1	1:5 / 1:1
Weight				
Diesel pile hammer	kg	3840	5670	6170
	lbs	8,465	12,500	13,600
Tripping device	kg	114	186	186
	lbs	250	410	410

Dimensions

		D6-32	D8-22	D12-42	D16-32	D19-42	D25-32	D30-32
A	mm	4300	4700	4770	5160	5160	5500	5500
B	mm	350	350	400	440	440	560	560
C	mm	465	410	440	480	480	670	670
D	mm	320	320	320	320	320	540	540
E	mm	310	315	335	345	345	405	405
F	mm	245	245	245	280	280	235	235
G	mm	590	590	610	700	700	780	780
H	mm	320	320	340	355	360	435	435



Dimensions

		D6-32	D8-22	D12-42	D16-32	D19-42	D25-32	D30-32
A	in	170	185	188	203	203	216.5	216.5
B	in	13.8	13.8	15.8	17.3	17.3	22	22
C	in	18.3	16.15	17.3	18.9	18.9	26.4	26.4
D	in	12.6	12.6	12.6	12.6	12.6	21.3	21.3
E	in	12.2	12.4	13.2	13.6	13.6	16	16
F	in	9.7	9.7	9.7	11	11	9.3	9.3
G	in	23.3	23.3	24	27.5	27.5	30.7	30.7
H	in	12.6	12.6	13.4	14	14.2	17.1	17.1

Diesel Pile Hammers

Technical Data

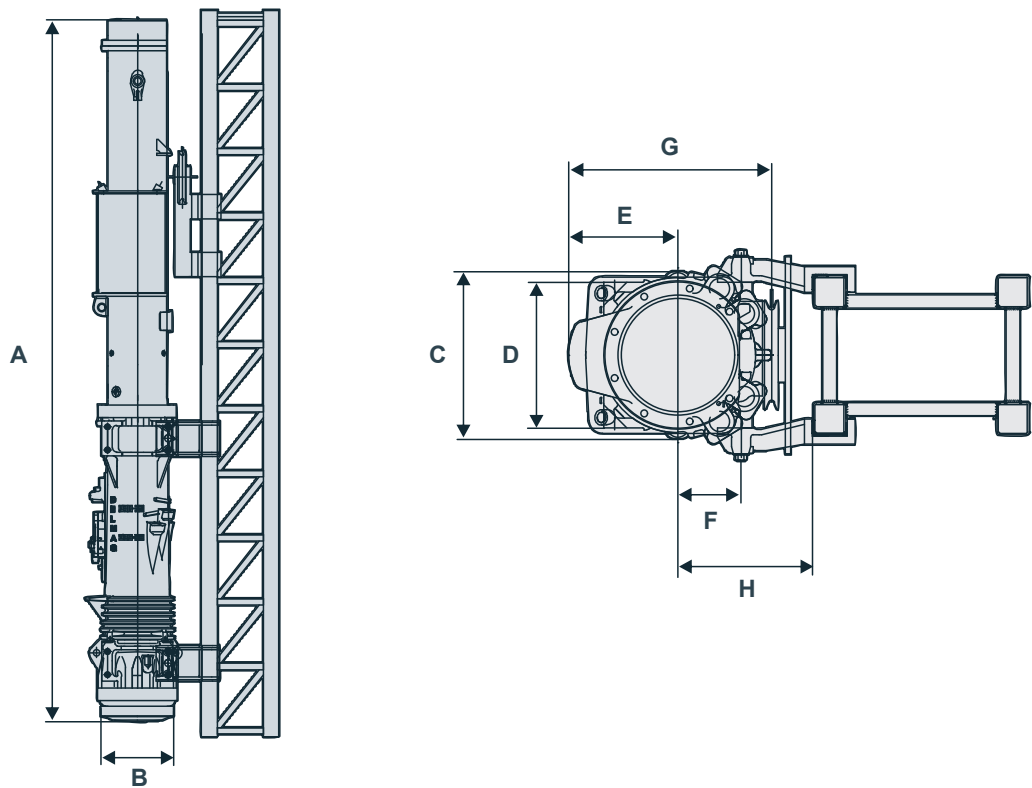
		D36-32	D46-32	D62-22	D80-23
Impact weight (piston)	kg	3600	4600	6200	8000
	lbs	7,940	10,140	13,640	17,600
Energy per blow max. - min.	kNm	123-56	166-71	224-107	288-171
	ft-lbs	90,720-41,300	122,435-52,370	165,215-78,920	212,420-126,125
Number of blows	min-1	36-53	35-53	35-50	35-45
Suitable for driving piles (depending on soil and pile)	t	2,5-12	3-16	4-30	6-60
	US tons	2.2-13.2	3.3-17.6	4.4-33.1	6.6-66.1
Consumption					
Diesel oil	l/h	11,5	16	20	25
	gal/h	2.53	3.52	4.4	5.5
Lubricant	l/h	1,5	1,5	2	2,6
	gal/h	0.33	0.33	0.44	0.57
Tank capacity					
Diesel oil tank	l	89	89	98	155
	gal	23.5	23.5	25.9	40.9
Lube tank	l	17	17	31,5	32
	gal	4.5	4.5	8.3	8.5
Max. rope diameter for deflector sheave of tripping device (* reeved twice)	mm	38	38	38	30*
	in	1.5	1.5	1.5	1.2*
Max. inclined pile driving without / with extension		1:5 / 1:1	1:5 / 1:1	1:2 / 1:1	1:5 / 1:2
Weight					
Diesel pile hammer	kg	8200	9300	12250	16905
	lbs	18,060	20,485	26,950	37,190
Tripping device	kg	450	450	450	750
	lbs	992	992	992	1,650

Technical Data

		D100-13	D150-42	D200-42
Impact weight (piston)	kg	10000	15000	20000
	lbs	22,000	33,000	44,000
Energy per blow max. - min.	kNm	360-214	512-329	682-436
	ft-lbs	265,520-157,840	377,630-242,660	503,036-321,580
Number of blows	min-1	35-45	36-45	36-45
Suitable for driving piles (depending on soil and pile)	t	7-100	12-160	14-250
	US tons	7.7-110.2	13.2-176.4	15.4-275.6
Consumption				
Diesel oil	l/h	30	50	60
	gal/h	6.6	11	13.2
Lubricant	l/h	2,6	4,8	5,8
	gal/h	0.57	1	1.3
Tank capacity				
Diesel oil tank	l	155	310	430
	gal	40.9	81.9	113.6
Lube tank	l	32	45	80
	gal	8.5	11.9	21.1
Max. rope diameter for deflector sheave of tripping device (* reeved twice)	mm	30*	36*	36*
	in	1.2*	1.4*	1.4*
Max. inclined pile driving without / with extension		1:5 / 1:2	1:5 / 1:2	1:5 / 1:3
Weight				
Diesel pile hammer	kg	20720	28450	51800
	lbs	45,585	62,590	113,960
Tripping device	kg	750	1850	1850
	lbs	1,650	4,070	4,070

Dimensions

		D36-32	D46-32	D62-22	D80-23	D100-13	D150-42	D200-42
A	mm	5470	5470	5910	7200	7358	7490	8175
B	mm	660	660	710	820	820	990	1250
C	mm	800	800	800	890	890	1280	1425
D	mm	640	640	560	800	800	1110	1425
E	mm	445	445	490	550	550	720	730
F	mm	275	275	380	350	350	375	580
G	mm	950	950	970	1110	1110	1450	1890
H	mm	500	500	500	660	660	900	1050



Dimensions

		D36-32	D46-32	D62-22	D80-23	D100-13	D150-42	D200-42
A	in	215.4	215.4	232.7	283.7	289.9	294.9	322.1
B	in	26	26	28	32.3	32.3	39	49.3
C	in	31.4	31.4	31.5	35.1	35.1	50.4	56.2
D	in	25.2	25.2	22	31.5	31.5	43.7	56.2
E	in	17.5	17.5	19.3	21.7	21.7	28.4	28.8
F	in	10.8	10.8	15	13.8	13.8	14.8	22.9
G	in	37.4	37.4	38.2	43.7	43.7	57.1	74.5
H	in	19.7	19.7	19.7	26	26	35.5	41.4

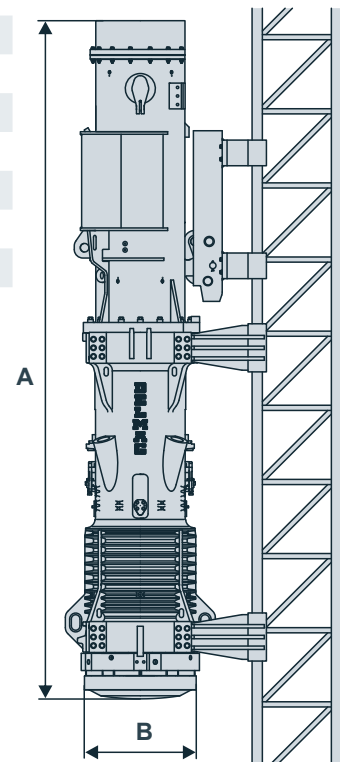
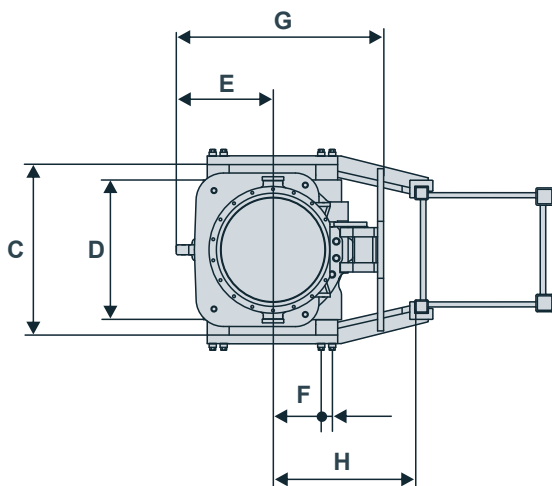
Diesel Pile Hammers

Technical Data

		D260-32	D300-32	D400-32
Impact weight (piston)	kg	26000	30000	40000
	lbs	57,320	66,140	88,190
Energy per blow max. - min.	kNm	865-556	1002-641	1335-855
	ft-lbs	638,000 - 410,100	739,000 - 472,800	984,600 - 630,600
Number of blows	min-1	36-45	36-45	36-45
Suitable for driving piles (depending on soil and pile)	t	26-280	28-320	45-420
	US tons	28.7 - 308.6	30.9 - 352.7	49.6 - 463.0
Consumption				
Diesel oil	l/h	72	85	112
	gal/h	19.0	22.5	29.6
Lubricant	l/h	6	6	6
	gal/h	1.6	1.6	1.6
Tank capacity				
Diesel oil tank	l	550	550	800
	gal	145.3	145.3	211.3
Lube tank	l	80	80	90
	gal	21.1	21.1	23.8
Max. rope diameter for deflector sheave of tripping device (* reeved twice)	mm	40*	40*	40*
	in	1.6*	1.6*	1.6*
Max. inclined pile driving without / with extension		1:5 / -	1:5 / -	1:5 / -
Weight				
Diesel pile hammer	kg	53500	59500	79500
	lbs	117,950	131,180	175,270
Tripping device	kg	2450	2450	2450
	lbs	5,400	5,400	5,400

Dimensions

		D260-32	D300-32	D400-32		D260-32	D300-32	D400-32
A	mm	7890	7965	8205	in	310.6	313.6	323.0
B	mm	1300	1320	1495	in	51.2	52.0	58.9
C	mm	1400	1445	1785	in	55.1	56.9	70.3
D	mm	1275	1275	1560	in	50.2	50.2	61.4
E	mm	875	895	1055	in	34.4	35.2	41.5
F	mm	445/545	445/545	505/605/705	in	17.5/21.5	17.5/21.5	19.9/23.8/27.8
G	mm	1880	1945	2240	in	74.0	76.6	88.2
H	mm	1300	1400	1500	in	51.2	55.1	59.1



Technical Data

Diesel pile hammer with hydraulic starting device

		D12-52	D19-52	D25-52	D30-52
Impact weight (piston)	kg	1280	1820	2500	3000
	lbs	2,820	4,010	5,510	6,610
Energy per blow max. - min.	kNm	46-20	66-29	90-40	103-48
	ft-lbs	33,930-14,750	48,680-21,390	66,380-29,500	75,970-35,400
Number of blows	min-1	35-52	35-52	35-52	36-52
Suitable for driving piles (depending on soil and pile)	kg	800-5000	1100-6000	1600-7500	2000-9000
	lbs	1,760-11,000	2,420-13,200	3,530-16,535	4,410-19,840

Consumption

Diesel oil	l/h	4,5	7,5	7,5	10
	gal/h	1	1.65	1.65	2.2
Lubricant	l/h	0,5	0,5	0,6	1
	gal/h	0.11	0.11	0.13	0.22

Tank capacity

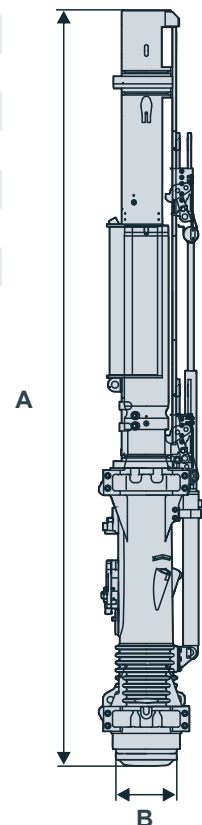
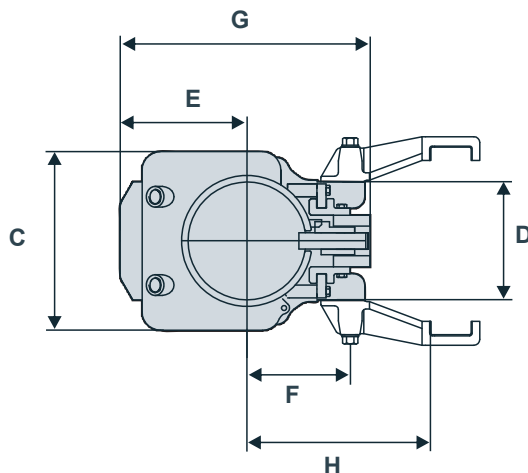
Diesel oil tank	l	25	32	67	67
	gal	6.6	8.45	17.7	17.7
Lube tank	l	6,5	9	19	19
	gal	1.7	2.4	5	5
Max. rope diameter for deflector sheave of tripping device	mm	20	20	22	22
	in	0.78	0.78	0.87	0.87
Max. inclined pile driving without / with extension		1:5 / 1:1	1:5 / 1:1	1:5 / 1:1	1:5 / 1:1

Weight

Diesel pile hammer with hydraulic starting device, without guidings	kg	3500	4100	6380	6880
	lbs	7,720	9,040	14,070	15,170

Dimensions

		D12-52	D19-52	D25-52	D30-52		D12-52	D19-52	D25-52	D30-52
A	mm	5500	5500	5650	5650	in	216.5	216.5	222.4	222.4
B	mm	440	440	560	560	in	17.3	17.3	22	22
C	mm	485	485	640	640	in	19.1	19.1	25.2	25.2
D	mm	320	320	540	540	in	12.6	12.6	21.3	21.3
E	mm	345	345	405	405	in	13.6	13.6	15.9	15.9
F	mm	280	280	235	235	in	11	11	9.3	9.3
G	mm	730	680	880	880	in	28.7	26.8	34.6	34.6
H	mm	500	500	500	500	in	19.7	19.7	19.7	19.7





For further informations please contact your DELMAG sales assistant. Or you visit us on the Internet at www.delmag.de. Design subject to modifications. The details in this leaflet have to be regarded as approximate. The illustrations also can contain special outfits which are not part of the standard scope of supply. Not represented equipment variants can lead to modifications of the technical data. The reproduction and utilization of this document, even in form of excerpts, without express authorization is prohibited. Offenders will be held liable for the payment of damages.

DELMAG GmbH & Co. KG
Boschstraße 8
63843 Niedernberg
Germany

Telefon: +49 (0) 6028 123-400
Telefax: +49 (0) 6028 123-409
eMail: info@delmag.de
Web: www.delmag.de

